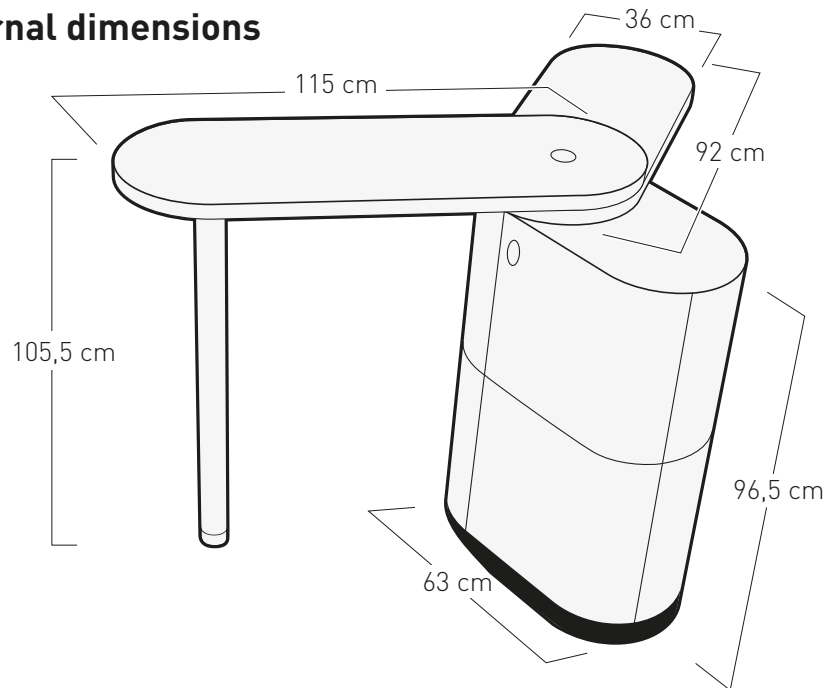
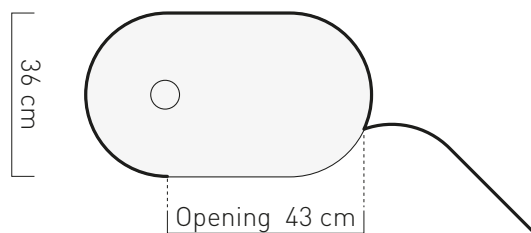
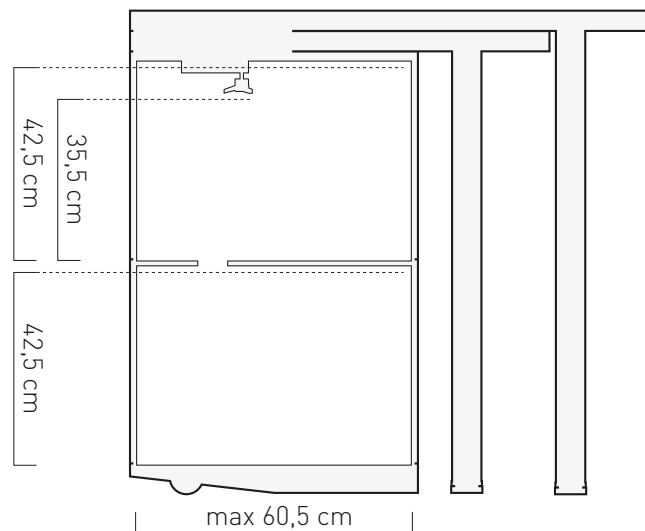


PENTA LOOP®

External dimensions



Internal dimensions



Weight 36 kg